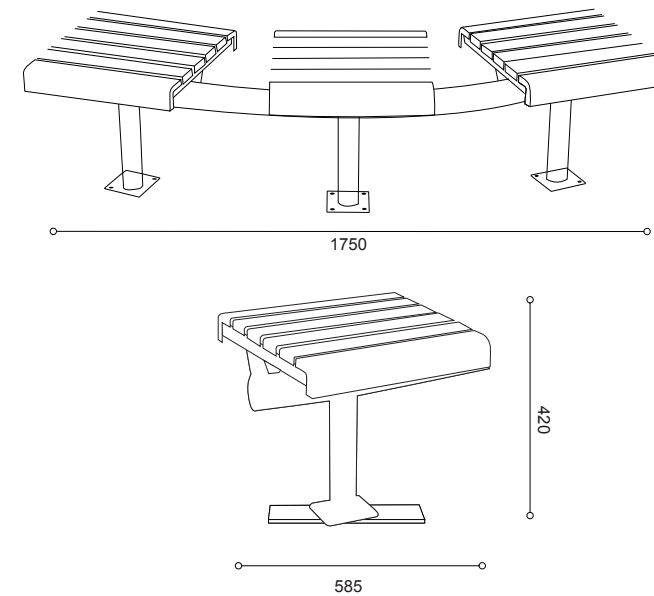




DIMENSIONS: L1750xW585xH420mm



TROYA BENCH

Material: Impregnated wood coated with Water-based paint certified by the (En 71- 3 safety for toys).

Fixing: Stainless Steel

- ▷ Resistance
- ▷ Stabilized dimensions

Translucent wood finish

- ▷ Transparency
- ▷ Protection

Autoclave treated wood

- ▽ Strength
- ▽ Long serving
- ▽ Resistant to severe weather conditions

Packing size: 1760 x 595 x 430 mm

Colours | textures:

